



Concentric hp „type chair lift

(chair behind the unit)

Compact Swivelling Table Unit for Wheel Chair Patients

Swivelling Table + Phoropter Bracket height-adjustable

In the clinical operation as well as in private practices the examination of patients in wheel chairs is an especial challenge for the practitioner and, in particular, for the construction of the examination unit.

DOMS have taxed their brains in this regard developing several solutions for examining patients in wheel chairs in cooperation with users in practices and hospital clinics.

DOMS CONCENTRIC „hp “ is a compact swivelling table unit suitable for wheel chair patients.

The height adjustment of swivelling table + phoropter facilitates a comfortable adjustment of the diagnosis instruments to the patient sitting in a wheel chair. The patient can remain seated for the examination without having to be placed onto the chair of the examination unit (and backwards onto the wheel chair) laboriously.

The large adjustment range of the base unit (instrument table + phoropter) amounts to 720 – 920 mm. Particularly advantageous is the lowest position of the instrument table with 720 mm – which is helpful with the examination of patients in wheel chairs. The version hp has an additional safety shutdown for the lifting movement of

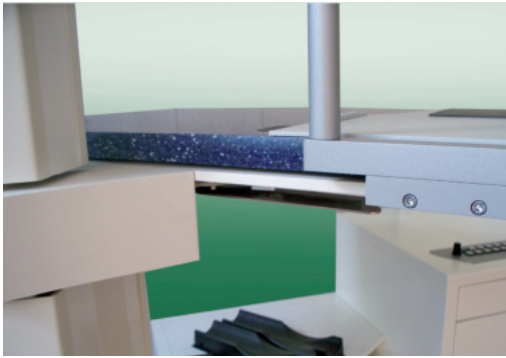
the instruments table and patient chair. The unit may be automatically removed to the default central position by a mere keystroke. (height of instruments table: 860 mm)

Control Panel type hp

16 keys, illuminated, integrated in the top side of the basic container type hp, within easy reach for central control of working table control functions and room control functions.

Functions according to equipment version: on/standby, room light 1, patient chair up-down-automatic down, instruments table up-down, unit middle position, Phoropter forward-backward, curtain opening, reading lamp, work place lamp, fixation light, room light 2, reset key (Phoropter backward- chair down).





Safety Contact Edge

Below the instruments table of the type Concentric hp is a default safety contact edge for the movement of patient chair and table preventing incidental jamming of the patient's thigh with the instrument table in operating position.

Basic Container type hp

3 pull-out drawers, 1 utensil drawer (with feed damper), holder for hand-held instrument storages, storage for control electronics and control panel dimensions: H 560 mm x W 912 mm x D 460 mm

Desk type hp,

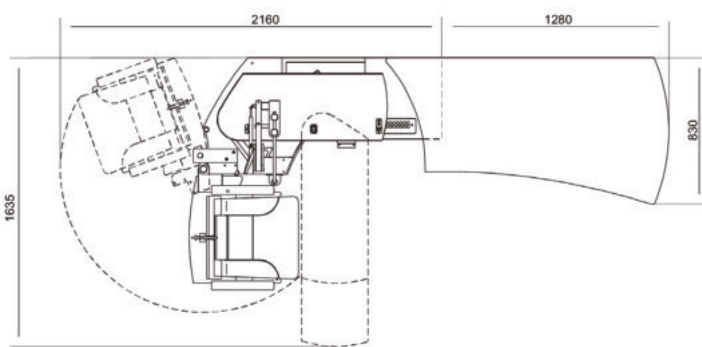
1280 x 830mm, S-design, swivelling drawer for trial lenses (for „large“ trial lens set max. 247 lenses / broad rimmed) Special length on request.

“Type Chair Lift” – Concentric hp – Patient chair is pivoting away „free-floating“ – instead wheel chair in front of slit lamp

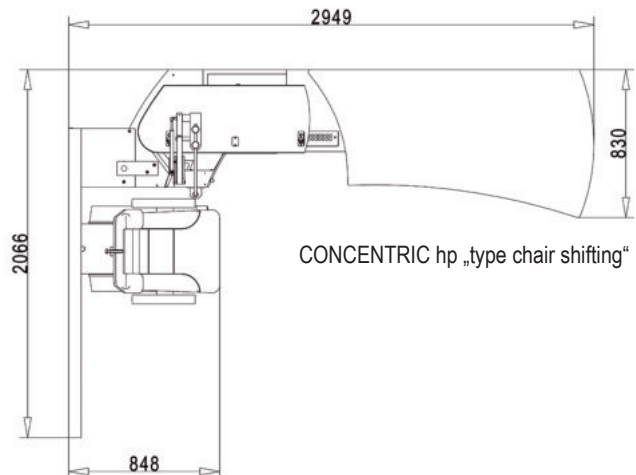
The patient chair is lifted by means of the chair lift and pivoted practically in a „free-floating“ way to the rear of the unit. The wheel chair with the patient to be examined can now be pushed to the free space. This is equally the defined working and parking position. (Advantage: chair is easily removed to the correct position when pivoted forward – adjusted to the slit lamp).

Type Chair Shifting“ – Concentric hp – The solution for short examination rooms

Shifting patient chair with synthetic smooth running wheels directed sideward; including floor guide rail for lateral shifting of chair. The chair leverages off automatically in the highest position and can, thus, be manually shifted sideward – the defined working and parking position (Advantage: This way, the chair is always in the correct position immediately – adjusted to the slit lamp)



CONCENTRIC hp „type chair lift“



CONCENTRIC hp „type chair shifting“

Dimensions in mm
Subject to alterations in form and design without previous notice

design – made by doms
– engineered + made in Germany

HS DOMS GmbH
Langenschader Strasse 67 D-07318 Saalfeld
Fon: +49 (0) 3671/5450-0 Fax: +49 (0) 3671/5450-20

info@doms.eu