



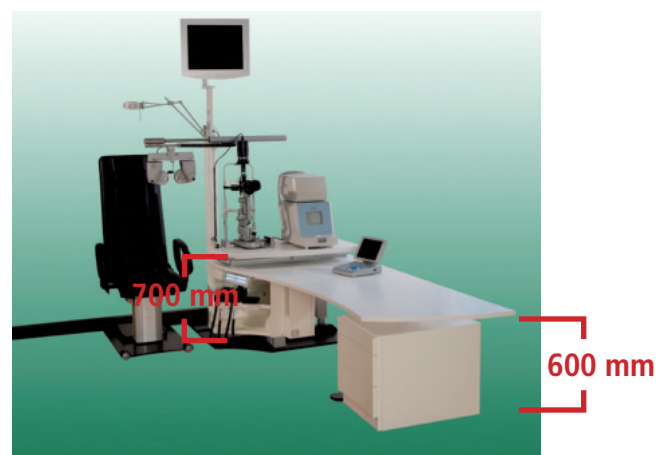
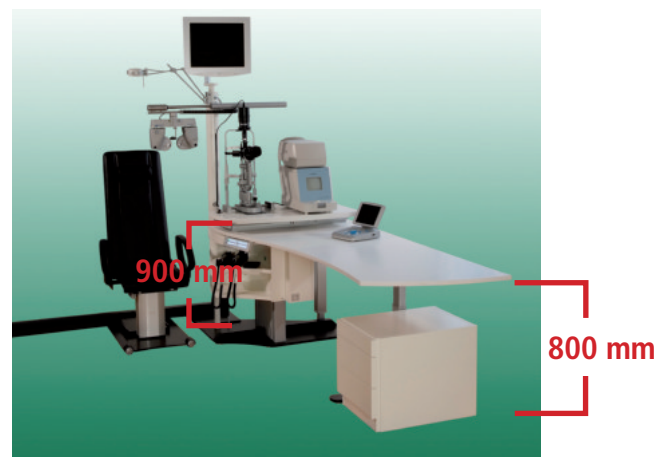
**DOMS
TELECENTRIC excite hp –
The “Wheel Chair Unit”**

**Professional Sliding Table Unit
Multifunctional Diagnosis Centre
Sliding table + Phoropter + Desk Top
Synchronously height-adjustable**

In the clinical operation as well as in private practices the examination of patients in wheel chairs is an especial challenge for the practitioner and, in particular, for the construction of the examination unit. DOMS have taxed their brains in this regard developing several solutions for examining patients in wheel chairs in cooperation with users in practices and hospital clinics

The now developed synchronic height adjustment of telescope table + phoropter + desktop facilitates a comfortable adjustment of the diagnosis instruments to the patient sitting in a wheel chair. The patient can remain seated for the examination without having to be placed onto the chair of the examination unit (and backwards onto the wheel chair) laboriously.

The large adjustment range of the base unit (instrument table + phoropter) amounts to 700 – 900 mm. Particularly advantageous is the lowest position of the instrument table with 700 mm – which is helpful with the examination of patients in wheel chairs. The version hp has an additional safety shutdown for the lifting movement of the instrument table. The unit may be automatically removed to the default central position by a mere keystroke. The table moves synchronically between 600 and 800 mm.





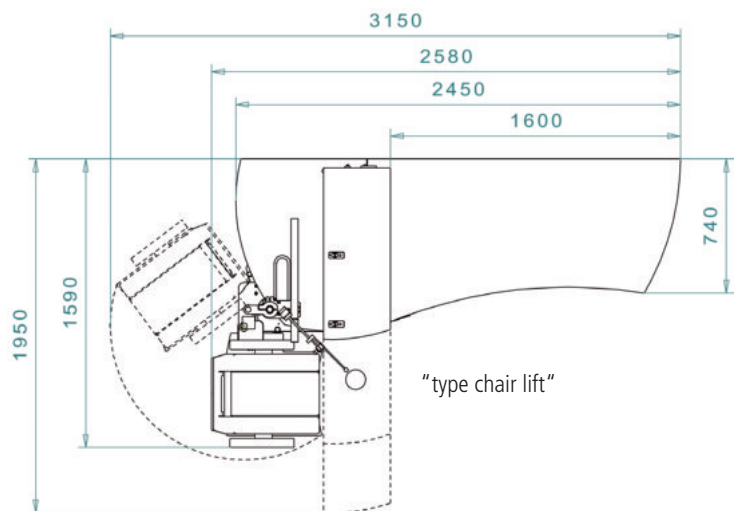
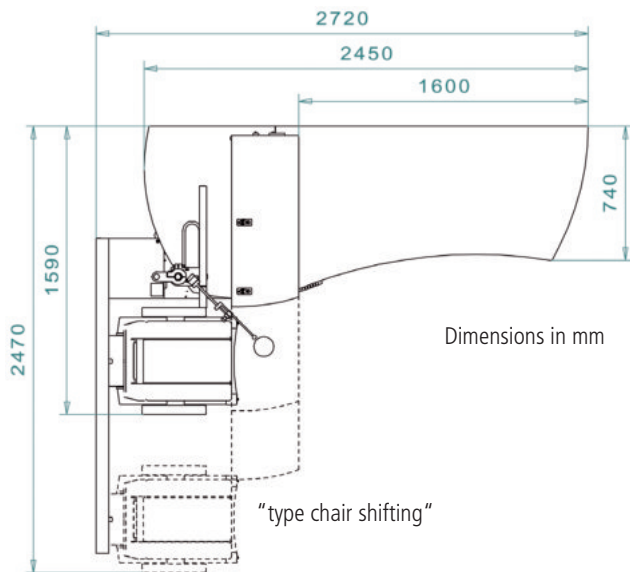
„Type Chair Shifting” – excite hp – The solution for short examination rooms

Shifting patient chair with synthetic smooth running wheels directed sideward; including floor guide rail for lateral shifting of chair. The chair leverages off automatically in the highest position and can, thus, be manually shifted sideward – the defined working and parking position (Advantage: This way, the chair is always in the correct position immediately – adjusted to the slit lamp)

„Type chair lift” – excite hp – Patient Chair is pivoting away „free-floating” – instead wheel chair in front of slit lamp

The patient chair is lifted by means of the chair lift and pivoted practically in a „free-floating” way to the rear of the unit. The wheel chair with the patient to be examined can now be pushed to the free space. This is equally the defined working and parking position. (Advantage: Chair is easily removed to the correct position when pivoted forward – adjusted to the slit lamp).

Subject to alterations in form and design without previous notice



design – made by doms –
engineered + made in Germany

HS DOMS GmbH
Langenschader Strasse 67
D-07318 Saalfeld
Fon: +49 (0) 36 71 / 54 50-0 Fax: +49 (0) 36 71 / 54 50-20
info@doms.eu