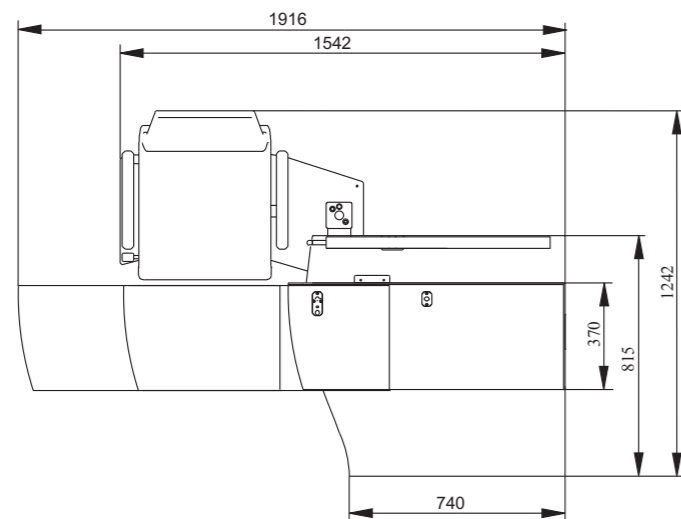


Materials and Colours

unit	standard color (base unit) white aluminium RAL 9006
phoropter arm and column	aluminium uncolored anodized
sliding table and desk	white aluminium RAL 9006
patient chair	artificial leather cover - available in many colours according to sample-chart base plate (chair) RAL 7012 basalt grey Special varnish (RAL color range), special veneer or "Multiplex" beech on request

Technical data

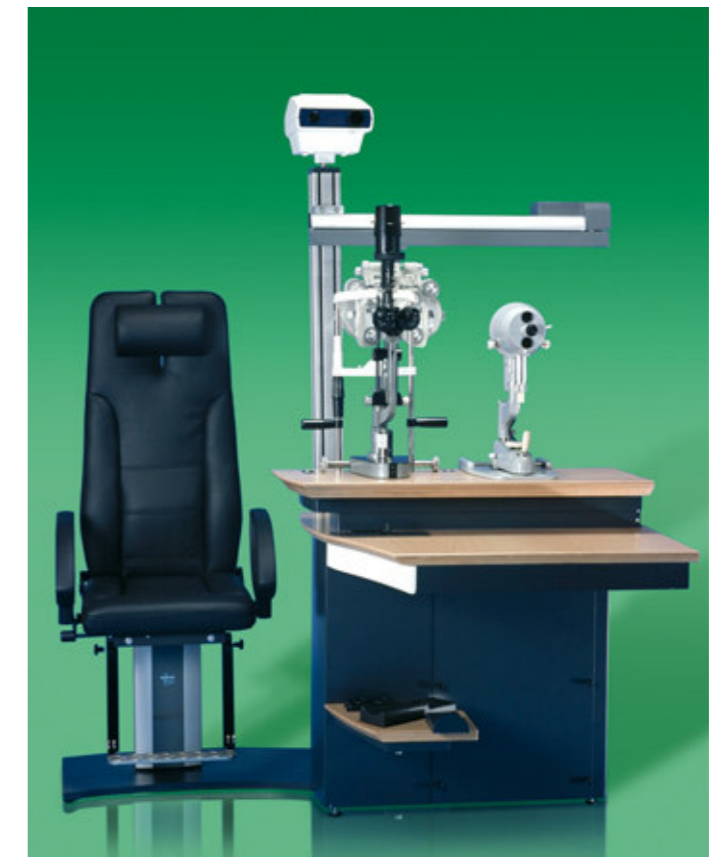
supply voltage	230 V / 50 Hz
power consumption	1400 VA
low voltage	6 V / 12 V
patient chair - seat heightmin.	470 mm
max.	670 mm
sliding table - height	860 mm
column - height	1.646 mm
desk standard length	1.600 mm



all dimensions in mm

changes reserved

01/15



The sliding unit

Conception

The Telecentric is a sliding unit with an easy positioning of the instruments and an ergonomic arrangement of all components.

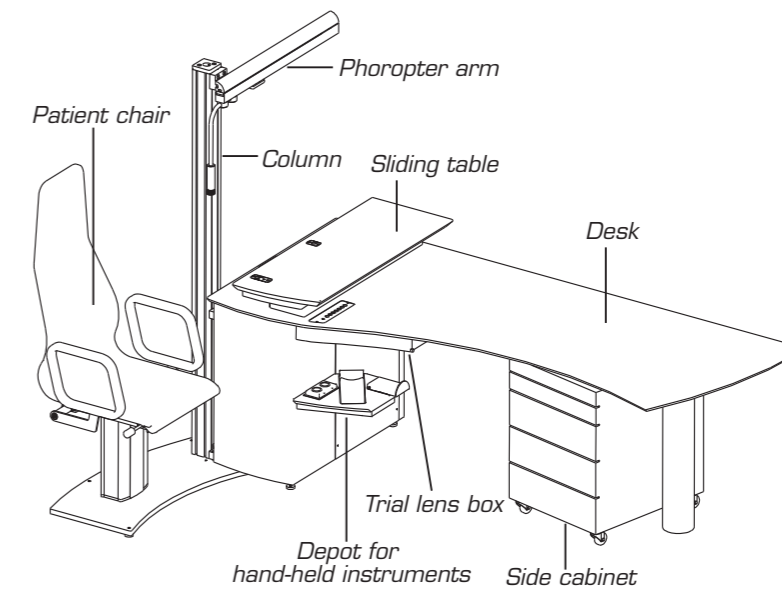
A individual solution is possible through various additional components and integration of any instruments.

The Telecentric is available as right or left unit.



Telecentric 300
Telescope-3-instruments table "3 in 2"

Components



Further components

- Motorized sliding table
- Motorized phoropter arm
- Inclination for phoropter arm
- box for glasses
- Reading-lamp
- Side cabinet
- Special equipment for patient chair

Function

- automated contact-switching
- dimmer for table instruments
- dimmer for hand-held instruments
- patient chair up, down, auto-down
- dimmer for room illumination
- curtain remote control
- fix
- maddox



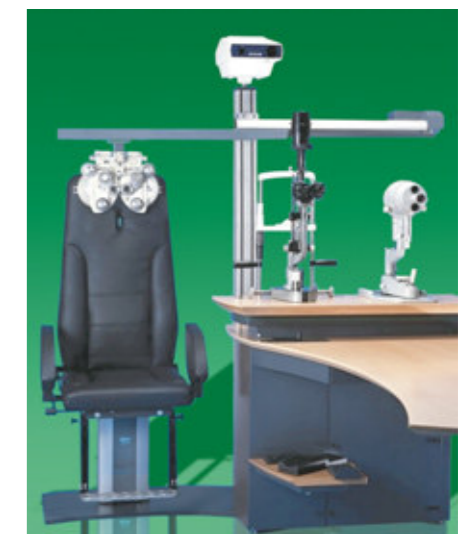
Sliding table - Position 1



Sliding table - Position 2



Trial lens box in front



Phoropter arm in front